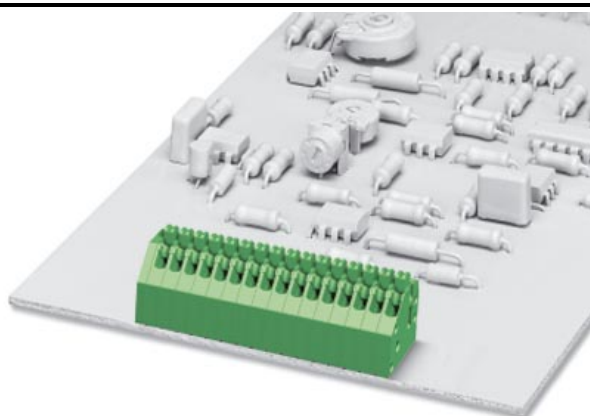


Please note that the data given here has been taken from the online catalog. For comprehensive information and data, please refer to the user documentation at <http://www.download.phoenixcontact.com>. The General Terms and Conditions of Use apply to Internet downloads.

## ► Extract from the online catalog



Printed circuit terminal block, nominal current: 2 A, rated voltage: 250 V, pitch: 3.5 mm, no. of positions: 4, mounting: Soldering, type of connection: Spring-cage connection, connection direction from the conductor to the PCB: 45°

The illustration shows a 16-position version

Order No.	1984989
Ord designation	PTSA 1,5/ 4-3,5-F
EAN	4017918922061
Pack	250 Pcs.
Customs tariff	85369010
Catalog page information	Page 305 (CC-2005)

## ► Technical data

### Dimensions / positions

Length	12 mm
Height	13.1 mm
Pitch	3.5 mm
Dimension a	10.5 mm
Number of positions	4
Pin dimensions	0,4 x 0,75 mm
Pin spacing	3.5 mm
Hole diameter	1 mm

**Technical data**

Insulating material group	I
Rated surge voltage (III/3)	4 kV
Rated surge voltage (III/2)	4 kV
Rated surge voltage (II/2)	4 kV
Rated voltage (III/2)	200 V
Rated voltage (II/2)	400 V
Connection in acc. with standard	EN-VDE
Nominal current $I_N$	2 A
Nominal voltage $U_N$	200 V
Nominal cross section	1.5 mm <sup>2</sup>
Maximum load current	2 A
Insulating material	PA
Inflammability class acc. to UL 94	V2
Stripping length	8 mm

**Connection data**

Conductor cross section, rigid min.	0.5 mm <sup>2</sup>
Conductor cross section, rigid max.	1.5 mm <sup>2</sup>
Conductor cross section flexible min.	0.5 mm <sup>2</sup>
Conductor cross section, flexible max.	1.5 mm <sup>2</sup>
Conductor cross section flexible, with ferrule without plastic sleeve min.	0.5 mm <sup>2</sup>
Conductor cross section flexible, with ferrule without plastic sleeve max.	1 mm <sup>2</sup>
Conductor cross section flexible, with ferrule with plastic sleeve min.	0.5 mm <sup>2</sup>
Conductor cross section flexible, with ferrule with plastic sleeve max.	0.5 mm <sup>2</sup>
Conductor cross section AWG/kcmil min.	20
Conductor cross section AWG/kcmil max	16

---

## ► Certificates

---

### **CUL**

Nominal voltage $U_N$	300 V
Nominal current $I_N$	2 A
AWG/kcmil	24-16

---

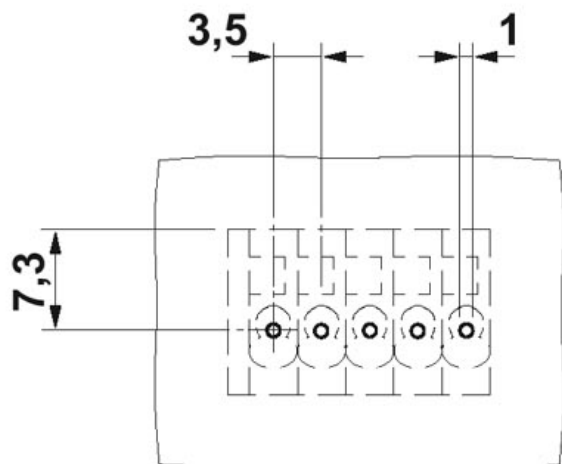
### **UL**

Nominal voltage $U_N$	300 V
Nominal current $I_N$	2 A
AWG/kcmil	24-16

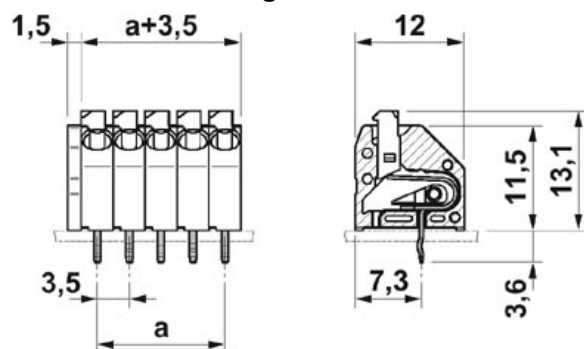
---

## ► Drawings

### Drilling diagram



### Dimensioned drawing



Approval logo



---

## ► Address

---

PHOENIX CONTACT GmbH & Co. KG  
Flachsmarktstr. 8  
32825 Blomberg  
Germany  
Phone +49 5235 3 00  
Fax +49 5235 3 1200  
<http://www.phoenixcontact.com>  
Phoenix Contact  
Technical modifications reserved;